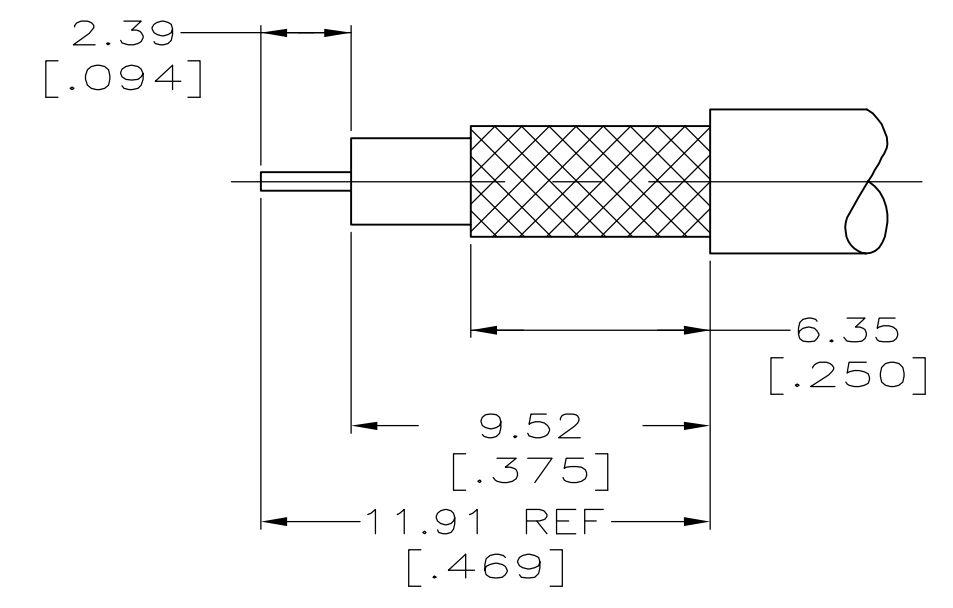
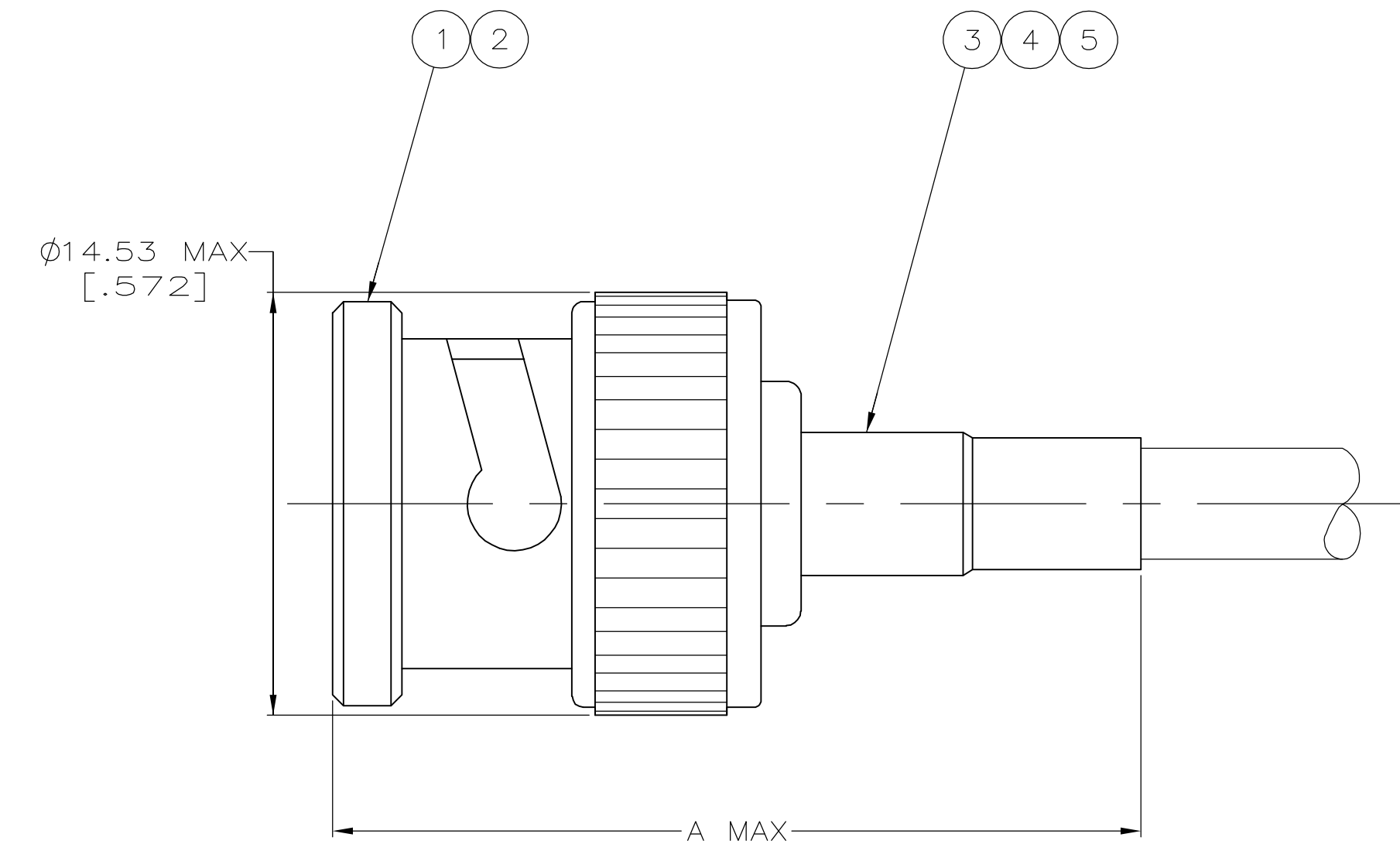


1. USE INSTRUCTION SHEET 408-9088.
 2. USE WITH PRO CRIMPER 354940-1.



RECOMMENDED STRIP LENGTH

C&M 17189	28.96	[1.140]	.044	.104/.170	318451-2	414932-2	-	9-328666-0	1-221182-6	9-221184-2	3-5221185-4
COMSCOPE F59 HEC-2	28.96	[1.140]	.044	.265	58536-1	-	-	9-50427-0	1-221182-0	9-221184-1	3-5221185-1
COMM/SCOPE S59HEC	28.96	[1.140]	.044	.265	58536-1	-	-	9-50427-0	221182-2	9-221184-5	2-5221185-9
BELDEN 8281, 9231	31.75	[1.250]	.044	.330	58538-1	-	-	9-50427-2	1-221182-0	9-221184-3	2-5221185-6
MONTROSE CBL8196	28.96	[1.140]	.044	.170	58174-1	-	-	9-329461-2	221182-2	9-221184-2	2-5221185-3
AT&T 735A	28.96	[1.140]	.044	.170	58174-1	-	-	9-328666-2	221182-6	9-221184-2	1-5221185-8
BELDEN 1164A, 1167A	28.45	[1.120]	.044	.170	58174-1	-	-	9-329461-0	1-221182-6	9-221184-2	1-5221185-5
BELDEN 9145	27.69	[1.090]	.044	.240	58536-1	-	-	9-50428-1	1-221182-0	9-221184-1	1-5221185-0
RG-59 TYPE, C.C=.031 DIA, CAROL COLUMBIA, C1103	27.69	[1.090]	.044	.240	58536-1	-	-	9-50428-0	1-221182-0	9-221184-1	5221185-9
RG-179/U, 179A/U, 179B/U, 187/U, 187A/U	28.96	[1.140]	.044	.104/.170	318451-2	227194-2	222001-4	9-328666-0	1-221182-2	9-221184-2	5221185-8
RG-6/U, 6A/U	37.85	[1.490]	.044	.330	58538-1	-	-	9-51713-1	1-221182-0	9-221184-4	5221185-7
BELDEN 8281, 8281F, 9231 AND GEPCO VP6000	31.75	[1.250]	.044	.330	58538-1	-	-	9-221132-2	1-221182-0	9-221184-3	5221185-5
BELDEN 8218	28.45	[1.120]	.044	.170	58174-1	-	-	9-329461-0	221182-6	9-221184-2	5221185-3
RG-59/U, 59A/U, 59B/U	27.69	[1.090]	.044	.240	58536-1	-	-	9-50428-0	221182-2	9-221184-1	5221185-2
BELDEN 9248	27.69	[1.090]	.044	.265	58536-1	-	-	9-50427-0	221182-8	9-221184-0	5221185-1

FOR USE WITH CABLE	A	CRIMP CONTACT (SQUARED)	CRIMP FERRULE (DIA)	DIE SET 2	5 PLASTIC TUBING QTY=1	4 TUBING QTY=1	3 FERRULE QTY=1	2 CONTACT QTY=1	1 PLUG ASSY QTY=1	PART NUMBER
--------------------	---	-------------------------	---------------------	-----------	------------------------	----------------	-----------------	-----------------	-------------------	-------------

THIS DRAWING IS A CONTROLLED DOCUMENT.

DIMENSIONS: mm (INCHES)	TOLERANCES UNLESS OTHERWISE SPECIFIED:	DWN J. ALCORTA - 21APR2005	CHK J. HAVENER - 21APR2005	APPRO J. LIPPERT - 21APR2005	NAME
0 PLC ± -	1 PLC ± -	2 PLC ± 0.41 [016]	3 PLC ± -	4 PLC ± -	5 ANGLES ± -
MATERIAL	FINISH	Tyco Electronics Corporation Harrisburg, Pa 17105-3608		SIZE	CAGE CODE
		108-12095		DRAWING NO	RESTRICTED TO
		A1 00779		5221185	
		CUSTOMER DRAWING		SCALE	SHEET
		5:1		1 OF 1	REV A